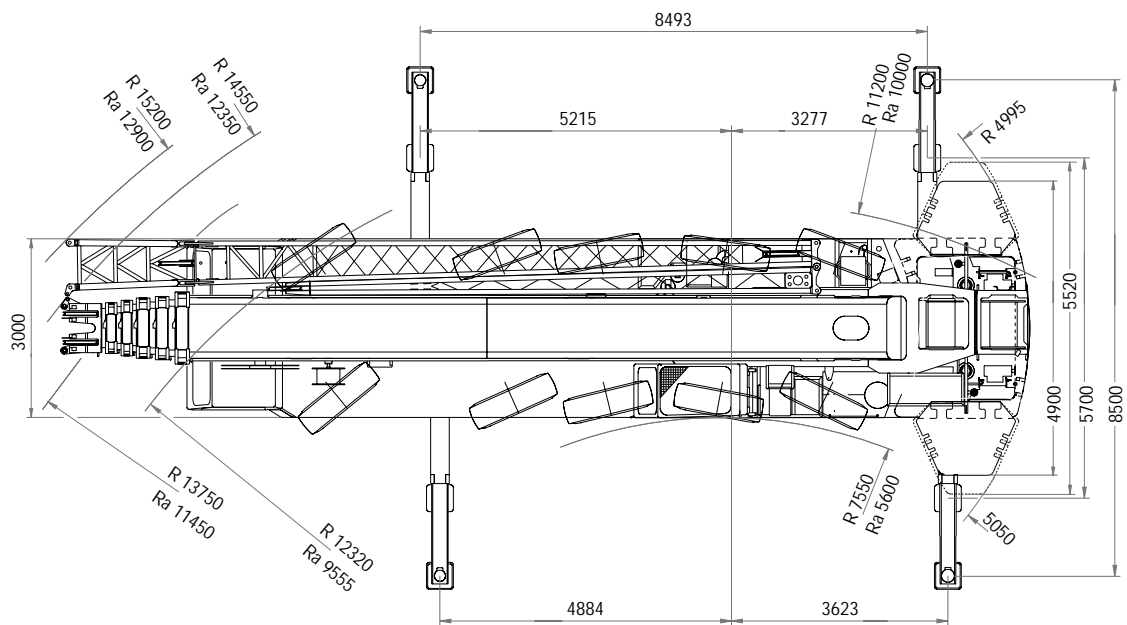
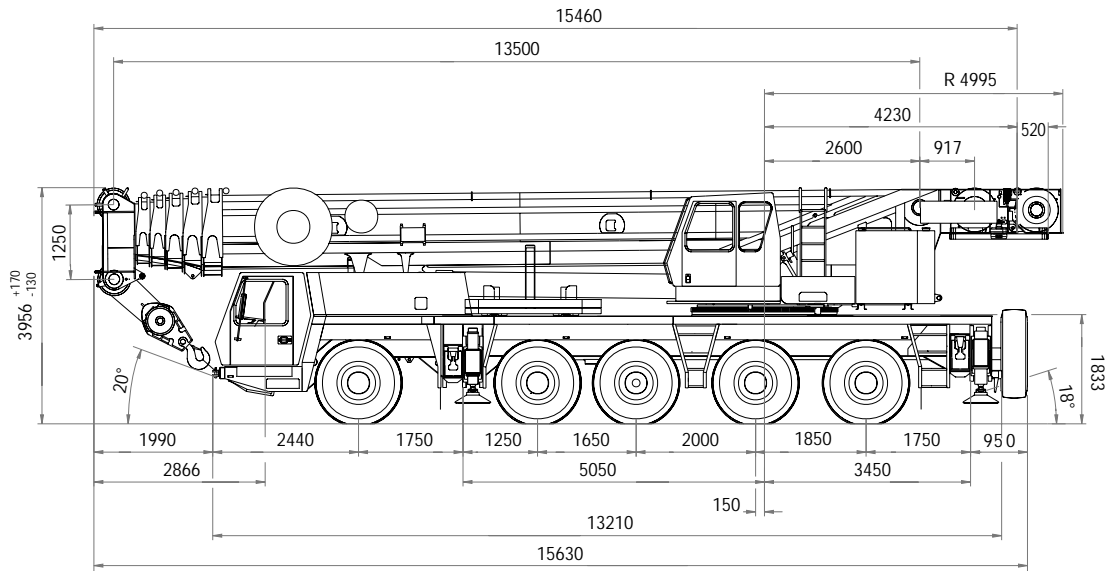


**Dimensions**  
**Abmessungen**  
**Encombrement**  
**Dimensiones**



Ra = Radius all wheels steered  
 Radius allradgelenkt  
 Rayon toutes les roues directrices  
 Radio de giro con todas las ruedas giradas

**Working range**  
**Arbeitsbereiche**  
**Portée flèche**  
**Gama de trabajo**



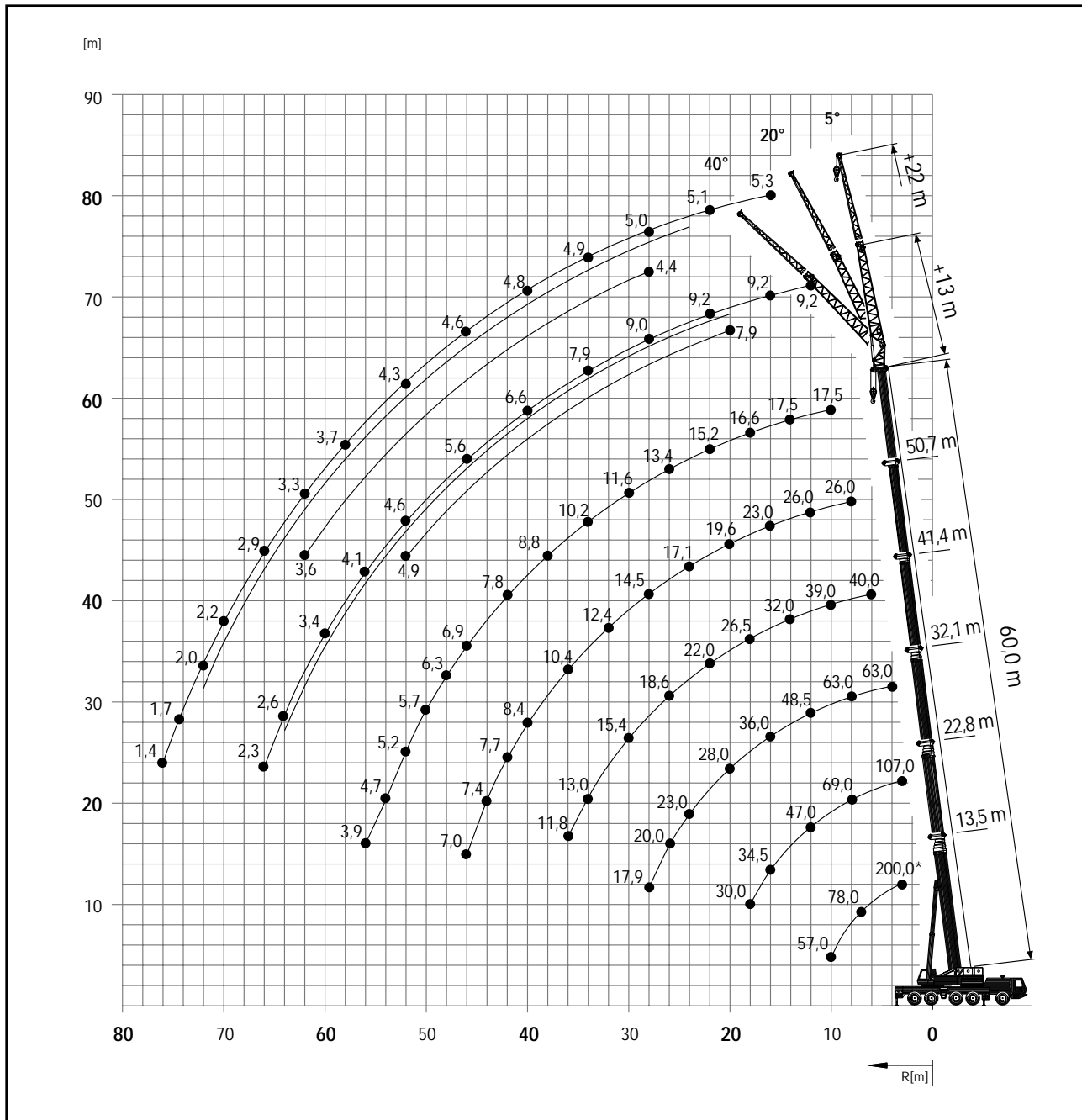
13,5 – 60,0 m

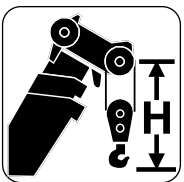


5° – 40°  
13/22 m



360°



|  | Hook block - Unterflasche - Crochet-moufle - Gancho<br>(t) | H<br>(mm) |
|---|--|-----------|
|   | 200D   |           |
| 160D  |  | 3650      |
| 125D  |  | 3300      |
| 80D   |  | 3300      |
| 32E   |  | 3200      |
| 12 H/B  |  | 2450      |

# Lifting capacities for telescopic boom

## Traglasten am Teleskopausleger

### Forces de levage à la flèche télescopique

### Capacidades de elevación con pluma telescópica



13,5 – 60,0 m



360°



70 t



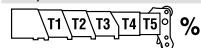
DIN/ISO

| m    | 13,5* | 13,5  | 18,2  | 22,8  | 27,5 | 32,1 | 36,8 | 41,4 | 46,1 | 50,7 | 55,4 | 60,0 |      |
|------|-------|-------|-------|-------|------|------|------|------|------|------|------|------|------|
| 2,5  | 200,0 |       |       |       |      |      |      |      |      |      |      |      |      |
| 3,0  | 159,0 | 141,0 | 140,0 | 107,0 | 78,0 |      |      |      |      |      |      |      |      |
| 4,0  | 137,0 | 118,0 | 118,0 | 107,0 | 78,0 | 63,0 |      |      |      |      |      |      |      |
| 5,0  | 119,0 | 101,0 | 102,0 | 101,0 | 78,0 | 63,0 | 52,5 |      |      |      |      |      |      |
| 6,0  | 105,0 | 88,5  | 89,0  | 88,0  | 78,0 | 63,0 | 52,5 | 40,0 |      |      |      |      |      |
| 7,0  | 93,0  | 78,0  | 79,0  | 77,5  | 78,0 | 63,0 | 52,5 | 40,0 | 31,0 |      |      |      |      |
| 8,0  | 82,0  | 69,5  | 70,5  | 69,0  | 70,0 | 63,0 | 52,5 | 40,0 | 31,0 | 26,0 |      |      |      |
| 9,0  | 71,0  | 63,0  | 63,5  | 62,0  | 63,0 | 61,0 | 51,0 | 40,0 | 31,0 | 26,0 | 21,0 |      |      |
| 10,0 | 58,5  | 57,0  | 57,5  | 56,5  | 57,0 | 57,5 | 49,5 | 39,0 | 31,0 | 26,0 | 21,0 | 17,5 |      |
| 11,0 |       |       | 52,5  | 51,5  | 52,0 | 53,0 | 47,0 | 37,5 | 31,0 | 26,0 | 20,5 | 17,5 |      |
| 12,0 |       |       | 49,0  | 47,0  | 48,0 | 48,5 | 44,5 | 35,5 | 31,0 | 26,0 | 20,5 | 17,5 |      |
| 13,0 |       |       | 45,0  | 43,0  | 44,0 | 45,0 | 42,5 | 34,0 | 30,0 | 25,5 | 20,0 | 17,5 |      |
| 14,0 |       |       | 42,0  | 40,0  | 41,0 | 41,5 | 40,5 | 32,0 | 28,5 | 24,5 | 20,0 | 17,5 |      |
| 15,0 |       |       | 34,5  | 37,0  | 39,0 | 38,5 | 38,5 | 30,5 | 27,5 | 24,0 | 19,8 | 17,3 |      |
| 16,0 |       |       |       | 34,5  | 37,0 | 36,0 | 37,0 | 29,5 | 26,5 | 23,0 | 19,6 | 17,1 |      |
| 18,0 |       |       |       |       | 30,0 | 32,5 | 31,5 | 32,5 | 26,5 | 24,0 | 21,5 | 18,8 | 16,6 |
| 20,0 |       |       |       |       |      | 28,5 | 28,0 | 29,0 | 24,0 | 22,0 | 19,6 | 17,5 | 16,1 |
| 22,0 |       |       |       |       |      | 25,0 | 25,5 | 25,0 | 22,0 | 20,5 | 18,3 | 16,4 | 15,2 |
| 24,0 |       |       |       |       | 20,5 | 23,0 | 22,0 | 20,5 | 18,7 | 17,1 | 15,4 | 14,3 | 14,3 |
| 26,0 |       |       |       |       |      | 20,0 | 19,3 | 18,6 | 17,2 | 15,8 | 14,3 | 13,4 | 13,4 |
| 28,0 |       |       |       |       |      |      | 17,9 | 17,1 | 16,5 | 15,6 | 14,5 | 13,3 | 12,5 |
| 30,0 |       |       |       |       |      |      |      | 15,2 | 15,4 | 14,1 | 13,3 | 12,3 | 11,6 |
| 32,0 |       |       |       |       |      |      |      | 13,6 | 14,4 | 12,9 | 12,4 | 11,5 | 10,9 |
| 34,0 |       |       |       |       |      |      |      |      | 13,0 | 11,5 | 11,5 | 10,8 | 10,2 |
| 36,0 |       |       |       |       |      |      |      |      | 11,8 | 10,4 | 10,4 | 10,1 | 9,5  |
| 38,0 |       |       |       |       |      |      |      |      |      | 9,7  | 9,4  | 9,3  | 8,8  |
| 40,0 |       |       |       |       |      |      |      |      |      | 9,1  | 8,4  | 8,6  | 8,2  |
| 42,0 |       |       |       |       |      |      |      |      |      | 8,8  | 7,7  | 8,0  | 7,8  |
| 44,0 |       |       |       |       |      |      |      |      |      |      | 7,4  | 7,2  | 7,4  |
| 46,0 |       |       |       |       |      |      |      |      |      |      | 7,0  | 6,5  | 6,9  |
| 48,0 |       |       |       |       |      |      |      |      |      |      |      | 6,0  | 6,3  |
| 50,0 |       |       |       |       |      |      |      |      |      |      |      | 5,6  | 5,7  |
| 52,0 |       |       |       |       |      |      |      |      |      |      |      |      | 5,2  |
| 54,0 |       |       |       |       |      |      |      |      |      |      |      |      | 4,7  |
| 56,0 |       |       |       |       |      |      |      |      |      |      |      |      | 3,9  |



85%

| m    | 13,5* | 13,5  | 18,2  | 22,8  | 27,5 | 32,1 | 36,8 | 41,4 | 46,1 | 50,7 | 55,4 | 60,0 |      |     |
|------|-------|-------|-------|-------|------|------|------|------|------|------|------|------|------|-----|
| 2,5  | 200,0 |       |       |       |      |      |      |      |      |      |      |      |      |     |
| 3,0  | 175,0 | 155,0 | 154,0 | 118,0 | 86,0 |      |      |      |      |      |      |      |      |     |
| 4,0  | 150,0 | 130,0 | 130,0 | 118,0 | 86,0 | 69,5 |      |      |      |      |      |      |      |     |
| 5,0  | 131,0 | 111,0 | 112,0 | 111,0 | 86,0 | 69,5 | 56,0 |      |      |      |      |      |      |     |
| 6,0  | 115,0 | 97,0  | 98,0  | 96,5  | 86,0 | 69,5 | 56,0 | 43,5 |      |      |      |      |      |     |
| 7,0  | 102,0 | 86,0  | 86,5  | 85,5  | 86,0 | 69,5 | 56,0 | 43,5 | 34,0 |      |      |      |      |     |
| 8,0  | 90,5  | 76,5  | 77,5  | 76,0  | 77,0 | 69,5 | 56,0 | 43,5 | 34,0 | 27,0 |      |      |      |     |
| 9,0  | 78,5  | 69,0  | 70,0  | 68,5  | 69,5 | 67,0 | 56,0 | 43,5 | 34,0 | 27,0 | 21,5 |      |      |     |
| 10,0 | 64,5  | 62,5  | 63,5  | 62,0  | 63,0 | 63,0 | 54,0 | 43,0 | 34,0 | 27,0 | 21,5 | 18,1 |      |     |
| 11,0 |       |       | 58,0  | 56,5  | 57,5 | 58,5 | 51,5 | 41,0 | 34,0 | 27,0 | 21,5 | 18,1 |      |     |
| 12,0 |       |       | 53,5  | 51,5  | 52,0 | 53,5 | 49,0 | 39,0 | 34,0 | 27,0 | 21,5 | 18,1 |      |     |
| 13,0 |       |       | 50,0  | 47,5  | 48,5 | 49,5 | 46,5 | 37,0 | 33,0 | 27,0 | 21,5 | 18,1 |      |     |
| 14,0 |       |       | 46,0  | 44,0  | 45,5 | 46,0 | 44,5 | 35,5 | 31,5 | 27,0 | 21,5 | 18,1 |      |     |
| 15,0 |       |       | 38,0  | 40,5  | 43,0 | 42,5 | 42,5 | 34,0 | 30,5 | 26,0 | 21,5 | 18,1 |      |     |
| 16,0 |       |       |       | 38,0  | 40,5 | 39,5 | 40,5 | 32,5 | 29,0 | 25,5 | 21,5 | 18,1 |      |     |
| 18,0 |       |       |       | 33,0  | 35,5 | 34,5 | 35,5 | 29,5 | 26,5 | 23,5 | 20,5 | 18,1 |      |     |
| 20,0 |       |       |       |       | 31,5 | 31,5 | 31,5 | 26,0 | 24,0 | 21,5 | 19,2 | 17,7 |      |     |
| 22,0 |       |       |       |       | 27,0 | 28,0 | 27,5 | 24,5 | 22,5 | 20,0 | 18,1 | 16,7 |      |     |
| 24,0 |       |       |       |       | 22,5 | 25,0 | 24,0 | 22,5 | 20,5 | 18,8 | 16,9 | 15,7 |      |     |
| 26,0 |       |       |       |       |      | 22,0 | 21,0 | 20,5 | 18,9 | 17,4 | 15,8 | 14,7 |      |     |
| 28,0 |       |       |       |       |      |      | 19,6 | 18,8 | 18,2 | 17,2 | 16,0 | 14,6 | 13,7 |     |
| 30,0 |       |       |       |       |      |      |      | 16,8 | 16,9 | 15,5 | 14,6 | 13,5 | 12,7 |     |
| 32,0 |       |       |       |       |      |      |      | 15,0 | 15,8 | 14,2 | 13,6 | 12,7 | 12,0 |     |
| 34,0 |       |       |       |       |      |      |      |      | 14,3 | 12,6 | 12,6 | 11,9 | 11,2 |     |
| 36,0 |       |       |       |       |      |      |      |      |      | 12,9 | 11,4 | 11,1 | 10,5 |     |
| 38,0 |       |       |       |       |      |      |      |      |      |      | 10,7 | 10,3 | 9,7  |     |
| 40,0 |       |       |       |       |      |      |      |      |      |      | 10,0 | 9,2  | 9,0  |     |
| 42,0 |       |       |       |       |      |      |      |      |      |      | 9,7  | 8,5  | 8,5  |     |
| 44,0 |       |       |       |       |      |      |      |      |      |      |      | 8,1  | 8,1  |     |
| 46,0 |       |       |       |       |      |      |      |      |      |      |      | 7,7  | 7,6  |     |
| 48,0 |       |       |       |       |      |      |      |      |      |      |      |      | 6,5  | 6,9 |
| 50,0 |       |       |       |       |      |      |      |      |      |      |      |      | 6,1  | 6,3 |
| 52,0 |       |       |       |       |      |      |      |      |      |      |      |      |      | 5,7 |
| 54,0 |       |       |       |       |      |      |      |      |      |      |      |      |      | 5,1 |
| 56,0 |       |       |       |       |      |      |      |      |      |      |      |      |      | 4,3 |



|    | T1 | T2 | T3       | T4 | T5       | %     |
|----|----|----|----------|----|----------|-------|
| T1 | 0  | 0  | 50/0/0/0 | 50 | 50/0/0   | 50/0  |
| T2 | 0  | 0  | 0/50/0/0 | 50 | 50/50/0  | 50/50 |
| T3 | 0  | 0  | 0/0/50/0 | 0  | 50/50/50 | 50/50 |
| T4 | 0  | 0  | 0/0/0/50 | 0  | 0/50/50  | 50/50 |
| T5 | 0  | 0  | 0/0/0/0  | 0  | 0/0/50   | 0/50  |

\* 8.50 x 5.70 m 0° over rear, nach hinten, en arrière, por la parte trasera.

Lifting capacities >160 t require additional equipment. Traglasten >160 t erfordern Zusatzausrüstung. Capacités de levage >160 t demandent équipement supplémentaire. Capacidades de elevación >160 Tm require equipo adicional.